

General Features

The D501 is an easy to configure RS232-to-Ethernet gateway. It provides up to two RS232 interfaces SER0 and SER1 on 9-pin male SUB-D connectors and up to two 10/100 Mb/s Ethernet interfaces ETH0 and ETH1 on M12 connectors.

The optional Ethernet interface ETH1 is intended to be used as a redundant line according to the IEC 62439 PRP protocol or as a separate channel for configuration.

The Ethernet interfaces comply with IEEE 802.3 supporting 10BASE-T or 100BASE-TX, full duplex, auto-negotiation and auto MDI-X. Furthermore, the internal logic supports the future "Ethernet on traction vehicles" standard IEC 61375-3-4.

The gateway is integrated in a stainless-steel housing that is mounted on a DIN rail or using M4 screws. The device is powered directly from the vehicle battery.

The D501 is designed for the harsh traction environment and conforms to the EN 50121, EN 50155, and IEC 61373 standards, e.g. by:

- -40 °C to +70°C Ambient temperature range
- Coating against humidity
- Enhanced EMI and vibration robustness

The D500 Ethernet gateway series covers the following vehicle bus systems:

- D501 RS232 – Ethernet Gateway (this document)
- D502 RS485/RS422 – Ethernet Gateway
- D503 MVB – Ethernet Gateway
- D504 CAN – Ethernet Gateway
- D507 Ethernet – Ethernet Gateway (protocol translation)

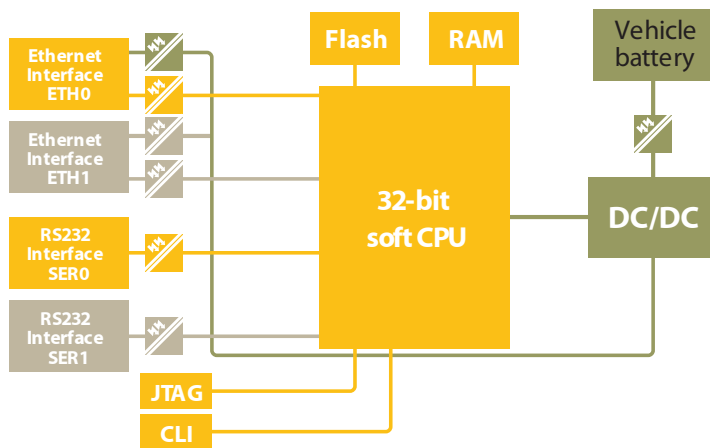
Key Benefits

- Integrated train manufacturer specific webservices
- Hardware prioritisation within the duagon's own Ethernet controller
- Proprietary high-performance UDP Stack (optimised for cyclic process data telegrams)
- Encapsulation of real-time Ethernet protocol stacks
- Fully compliant with EN 50128, EN 50129, IEEE 802.3, EN 50155, EN 50121, IEC 61373 and IEC 61375

Application Examples

- Generic Ethernet Interface for various real-time protocols

D501 Hardware Architecture



Life Cycle Cost

Total cost of ownership was an important aspect when creating the installation, maintenance and service concept. Further-

more, to avoid service expenses, the gateway has strictly been designed without the usage of electrolytic capacitors.

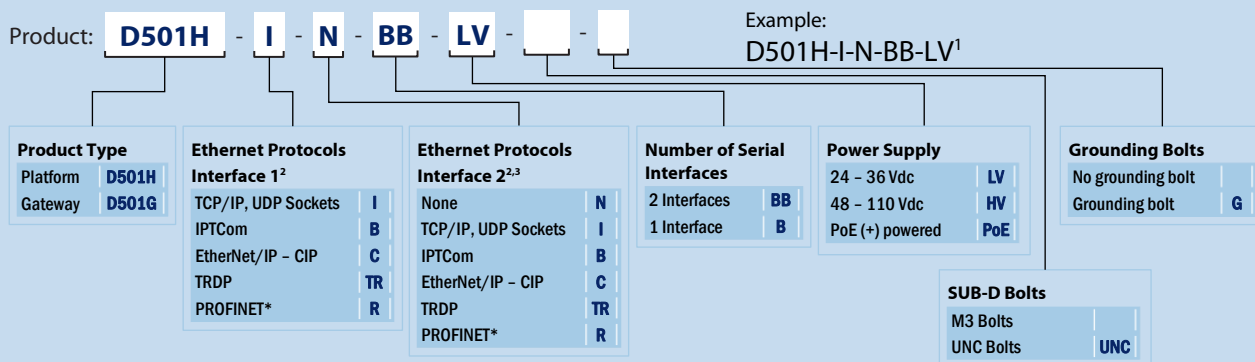
Technical Data

CPU base System	<ul style="list-style-type: none"> – 32-bit soft-CPU – Programmable in standard C – Flash file system
Ethernet Interface 1 + 2	<ul style="list-style-type: none"> – Physical layers according to IEEE 802.3 100Base-TX – M12 (D-Coded) according to IEC 61076 – Full duplex mode, Auto-Negotiation, Auto-Polarity, Auto-Crossing – 1.5KVAC galvanic isolation – Up to two connections
Ethernet Protocols	<ul style="list-style-type: none"> – TCP/IP, UDP Sockets – IPTCom – EtherNet/IP - CIP – TRDP – PROFINET*
Serial Interface	<ul style="list-style-type: none"> – Two 9-pin male SUB-D connectors – Serial interfaces galvanically insulated to the digital logic and each other
Diagnostic / Service	<ul style="list-style-type: none"> – Device status information/identification available through host interface – Firmware update via Ethernet – JTAG and serial line available

Supply Voltage	<ul style="list-style-type: none"> – Single power supply 24 – 110 Vdc – Power over Ethernet (PoE)
Power Consumption	<ul style="list-style-type: none"> – Powered directly from battery $P_{max} < 3W$ – Interruption Class C2 ceramic capacitor on board, no need to replace capacitors due to aging
Operating Conditions	<ul style="list-style-type: none"> – Ambient temperature: –40 to +70°C (EN 50155, class TX) – Relative humidity: 75%, max 95% for 30 days per year (conformal coating) according to EN 60068 – Shock and vibration: According to IEC 61373 category 1, class B – EMI: According to EN 50121 and EN 50155
Physical Characteristics	<ul style="list-style-type: none"> – Housing: metal, IP30 protection – Dimensions: 120 × 106 × 32 mm – Weight: 415 g
Environment	<ul style="list-style-type: none"> – Fully compliant with RoHS and REACH – 100% cyclic climatic testing

d-023707-041673

Product Ordering Table



¹ default order options

² Ethernet "Sockets" is included on all interfaces

³ Interface two is optional

* contact duagon for lead times and availability

Related Documents

Data Sheet D501	☒ D501_DS.pdf
Configuration Guide	☒ config_ug.pdf
Product Ordering Guide	☒ order_ug.pdf

available at www.duagon.com

duagon AG
 Riedstrasse 12
 CH-8953 Dietikon
 Phone +41 44 743 73 00
 Fax +41 44 743 73 15

www.duagon.com

